

TECHNICAL DATA

Weight:	110 kg
Grill Rack size:	380 x 570 mm
Capacity:	40 covers
Working temperature:	250 - 350 °C
Av. daily charcoal cons.:	3 - 6 kg
Power:	3 kW
Exhaust rate:	2.500 m3/h
Max. smoke flow:	4,9 g/s

STANDARD EQUIPMENT

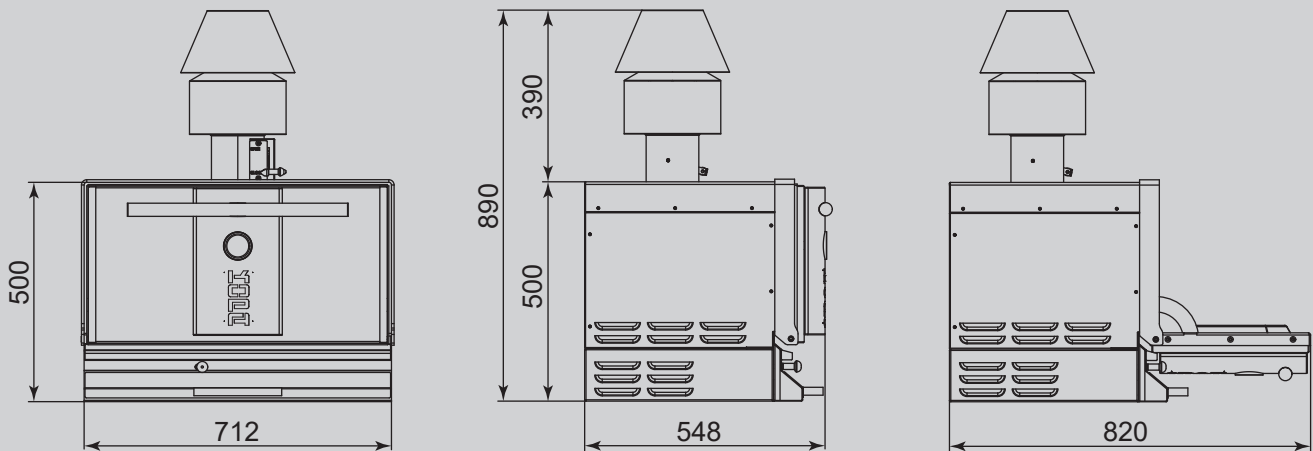
Firebreak
 Firebreak Hood
 Grill Rack
 Kopa Tong
 Ash Drawer

OPTIONAL EQUIPMENT

Additional Grill Rack
 Additional Tong
 Brush



TECHNICAL DRAWINGS



Available in these colors:



Red



Black



Brown



Shiny metal and gold*
 *surcharge