

MODEL:

**BaSix WS2-KVS**



# BASIX

BaSix Hand Wash Station. Knee-operated, Hands-Free operation. Includes knee-valve, fixed spout, M-MX91 manual mixer, water hose & tap hole stopper

**Model range:** WS2  
**Controls:** Hands-Free  
**Tap type:** Knee-operated

**FEATURES & BENEFITS**

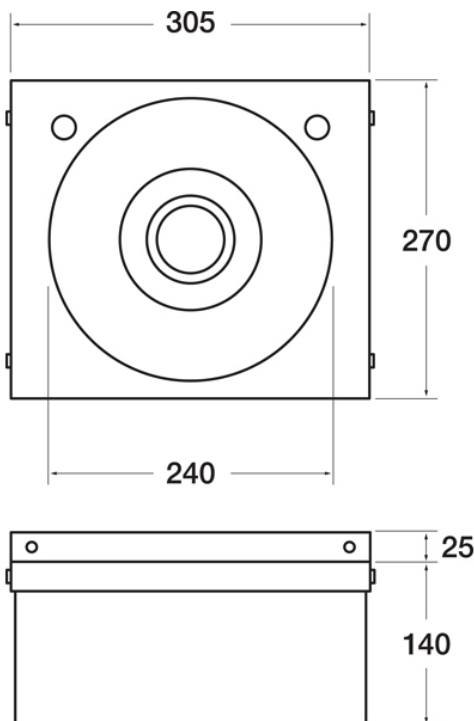
- Range of hygienic hand washing solutions.
- Helps operations meet their requirement to provide hand-washing stations on site.
- Good and safe habits are more easily followed and enforced.

**TECHNICAL INFO**

- Dimensions: O/D: 305 x 270 x 140 Bowl: 240 x 135 deep

**MAINTENANCE & CLEANING**

Cleaning chrome: Do not use abrasive, chlorine or acid-based cleaning products. Avoid contact with concentrated bleach. Clean with soapy water using a cloth or sponge.



Dimensions are in millimeters. If a Cad file is required please visit [www.mechline.com](http://www.mechline.com).



MECHLINE DEVELOPMENTS LIMITED

Tel: +44 (0)1908 261511 | Email: [info@mechline.com](mailto:info@mechline.com) | Web: [www.mechline.com](http://www.mechline.com)